

FlexArm[™] Plus

TWIN LAPAROSCOPIC SYSTEM - REF. NO. 99000



Watch a clinical video on
the FlexArm Plus System



<https://youtu.be/I3ieMx5W7dw>

- Complete Twin Arm System with interchangeable accessories creates an efficient surgical environment
- Static image for optimal visualization requiring less scope cleanings
- Nathanson Hook permits the entire liver surface to be lifted for atraumatic retraction and better access while eliminating the lateral port
- FlexArms allow for intra-operative flexibility in positioning and adjustment of endoscope and retractor in a variety of procedures

MAXIMUM EFFICIENCY • VERSATILITY • FLEXIBILITY

FlexArm™ Plus Twin Laparoscopic System

A complete system solution to provide quicker and safer surgery for the patient, a controlled environment for the surgeon and cost-savings for the hospital

Featuring Maximum...

Efficiency

The Twin FlexArm System reduces the amount of assistants needed and provides static endoscope and retractor holding for optimized surgical efficiency

Versatility

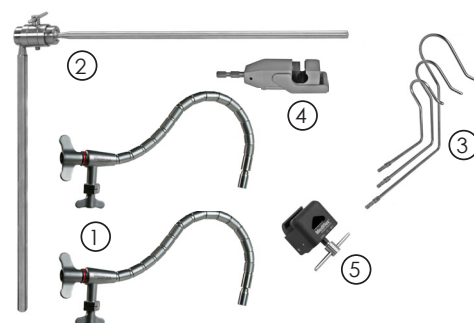
System components are easy to set-up in virtually unlimited positions to accommodate any surgical procedure and an array of instrumentation

Flexibility

The FlexArm Plus offers the required holding strength yet permits intra-operative adjustments of the scope and retractor without having to loosen the arm

REF. NO. 99000 - SYSTEM COMPONENTS

REF. NO.	QTY.	DESCRIPTION
① 99056-QC	2 ea	Universal FlexArm Plus, Quick-Connect Hex Fittings
② 69098	1 ea	Long Reach Mount Post/Swivel Ball Assembly
③ 69710	1 set	6.5mm Nathanson Hooks - 1 ea Small, Med, Large
④ 72162	1 ea	Quick-Grip -10mm Automatic Holding Tip
⑤ 69099	1 ea	Heavy Duty Rail Clamp



OPTIONAL ACCESSORIES

ENDOSCOPE & INSTRUMENT HOLDING TIPS



REF. NO. 72163
Quick-Grip - 5mm Automatic Holding Tip

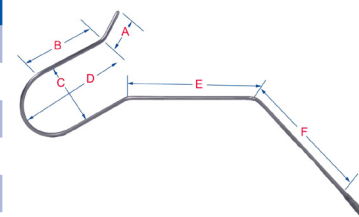


REF. NO. 69706
Stainless Steel - Adjustable Holding Tip
3mm - 12.5mm holding capacity



REF. NO. 69707
Delrin - Adjustable Holding Tip
1.5mm - 12.5mm holding capacity

REF. NO.	DESCRIPTION	NATHANSON HOOK DIMENSIONS (cm)					
		A	B	C	D	E	F
69735	Nathanson Hook 6.5mm - Small	1.3	3.8	4.1	5.8	8.9	14.0
69736-C*	Nathanson Hook, 6.3mm - Medium	3.0	6.0	N/A	N/A	11.3	17.8
69736	Nathanson Hook 6.5mm - Medium	2.5	5.1	5.6	7.9	12.7	17.8
69736-XL	Nathanson Hook 6.5mm - Medium, Extra Long Tip	4.4	5.1	5.6	7.9	12.7	19.7
69737	Nathanson Hook 6.5mm - Large	3.8	7.6	7.6	11.4	17.8	27.3
69737-XL	Nathanson Hook 6.5mm - Large, Extra Long Tip	5.7	7.6	7.6	11.4	17.8	27.3
69710	Nathanson Hook Set 6.5mm - 1 ea Small (69735), Med (69036), Large (69037)						
69710-XL	Nathanson Hook Set - 1 ea Small (69735), Med XL (69036-XL), Large XL (69037-XL)						



Note: All dimensions are nominal and may be ± 0.32 cm except for dimensions E and F which may be ± 1.3 cm

*similar shape as Cook®. Cook is a registered trademark of Cook Medical Inc.

Mediflex®
SURGICAL PRODUCTS

www.mediflex.com
Toll-free USA: 1-800-764-0474
Phone: +1-631-582-6424
Fax: +1-631-582-4520

© 2016 Mediflex Surgical Products. All rights reserved.

FAPLS-0616